

Insect Control Barriers SLIDING
DEFENDOR® BUGUARD™

Key Features

- Vinyl-Coated Polyester Screen
- Galvanized Steel Tracks
- Full-Height Galvanized Pipe Staffs
- Heavy-Duty Ball Bearing Trolleys
- Cane Bolts with Locking Pins

Major Benefits

- **Proven Safety:**
Engineered for warehouse and loading dock openings at packaging and processing facilities that rely on strict pest control.
- **Custom Functionality:**
Single sliding or bi-parting design easily accommodates larger openings, providing an economical alternative to roll-up barriers.
- **Reliable Performance:**
Secure stabilization, locking, and sealing mechanisms deliver effective airflow and sanitation in demanding industrial environments.

■ Technical Specifications

Operation	Manual Slide
Size Range	<ul style="list-style-type: none"> • Unlimited Width x 14" H (4572 mm) • Unlimited Width achieved by pairing multiple units
Panel	<ul style="list-style-type: none"> • Standard 10 oz. / sq. yd. vinyl coated polyester weave screen material. • Thread Count of 17 x 11 • Optional fine-weave material with thread count of 28 x 11
Tracks / Mounting	Galvanized steel sliding track hardware mounts under the door opening lintel or on the face of the wall.
Panel Stabilization	<ul style="list-style-type: none"> • Full-height, 1 1/4" diameter galvanized steel pipe staffs with integral 5/8" cane bolt floor locking pins. • Pipe staffs are enclosed in high-visibility, vinyl pockets (inside face of curtain only).
Mounting Options	<ul style="list-style-type: none"> • Header Mount, 3' (76 mm) required. • Face of Wall Mount.
Side Room	Required 1' of side room per linear foot.
Warranty	One year warranty on parts.

■ Available Colors

Standard



Options



Tan



Grey



Black



Yellow

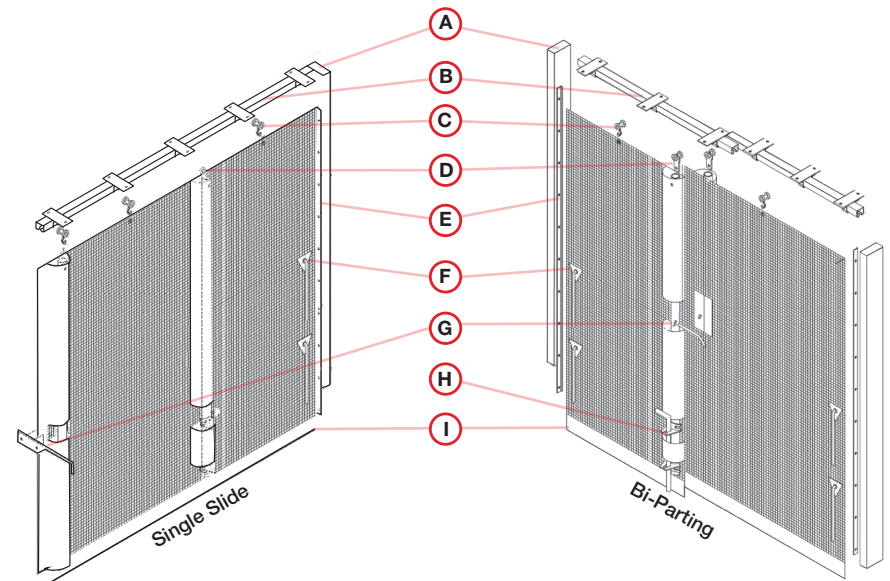


Blue



Red

■ Technical Drawing



A Track Mounting Bracket

F Nylon Tie-Back

B 16 Gauge Sliding Track

G Locking Plate and Pin

C Curtain Hook Trolley and Grommet

H Cane Bolt and Holders

D Pipe Staff Trolley

I 22 oz Vinyl Sweep Seal

E Vertical Aluminum Trim